

CROSSOVER[®]

by Wascomat

In a class by itself – *The world's first small chassis dryer engineered to commercial laundry standards for your business needs.*



PROFESSIONAL SPECIFICATIONS

Serving the Multi-housing and Coin Laundry markets, Crossover Series dryers meet business demands with durability, energy savings and customer satisfaction.

FEATURES AND BENEFITS

- ✓ Commercial grade construction
- ✓ 22+ lb capacity
- ✓ 7 1/2 cu ft drum
- ✓ Stainless steel non-removable lint screen
- ✓ Tapered sealed ribs bring load forward improving dryer performance
- ✓ Axial airflow
- ✓ Extra large door and door opening
- ✓ Roller supported tumbler
- ✓ Fast drying

BEST CUSTOMER EXPERIENCE

- ✓ Axial airflow ensures the shortest drying time
- ✓ Easy clean lint screen
- ✓ Loading and unloading are easy with the extra large door opening
- ✓ Large capacity tumbler can handle oversized loads

MARKET READY DESIGN

- ✓ Coin and card payment compatibility
- ✓ Space-saving design
- ✓ Easy to install
- ✓ Meets ADA regulations

MODEL NOs:

METERED—GAS
Model No. # DAWFOGM

CARD READY—GAS
Model No. # DAWFOGMDC

METERED—ELECTRIC
Model No. # DAWFOEM

CARD READY—ELECTRIC
Model No. # DAWFOEMDC

NOTE: Money boxes are sold separately

Laundrylux[®]

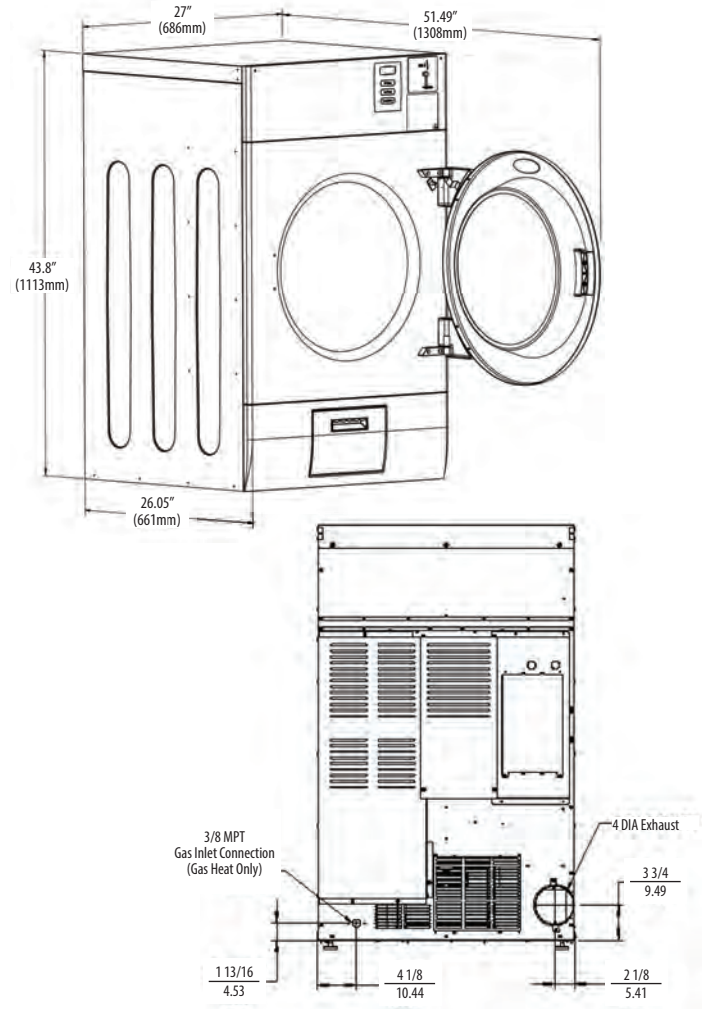
866.580.1010 ✓ laundrylux.com



CROSSOVER DRYER

CROSSOVER DRYER SPECIFICATIONS

Model No.	Metered/Card Ready - Gas DAWFOGM/DAWFOGMDC
Model No.	Metered/Card Ready - Electric DAWFOEM/DAWFOEMDC
Motor	1/3 HP
Electrical Rating (Gas Model)	120V/60Hz/1-phase
Electrical Rating (Electric Model)	208-240V/60Hz/1-phase
Breaker/Fuse Requirements (Gas Heat)	15A
Breaker/Fuse Requirements (Electric Heat)	30A
Cylinder Volume	7 1/2 cu ft (212 liters)
Cylinder Diameter	25 3/4 in (654 mm)
Cylinder Depth	24 in (609 mm)
Capacity (Dry Weight)	22 lbs (10 kg)
Door Opening	17 1/4 in (438 mm)
Airflow	220 cfm (373 m ³ /h)
Gas Heating	26,000 Btu/hr (6,550 kcal/hr)
Gas Connection	3/8 in MNPT
Tumbling Speed	50 RPM
Exhaust Connection	4 in dia.
Approximate New Weight	176 lbs (79.8 kg)
Approximate Shipping Weight	198 lbs (89.8 kg)
Overall Dimensions	W D H: 27 1/8 x 31 3/4 x 45 3/4 in W D H: 686 x 807 x 1162 mm



Refer installation and servicing to qualified, licensed personnel. Always read Installation and Operating Manuals and consult local codes before installation. Protect machines with properly rated circuit breakers ONLY. Warranty void if not properly installed. Specifications subject to change without notice. Laundrylux assumes no responsibility for errors or omissions in this information.

Laundrylux offers a complete line of Electrolux Professional and Wascomat Commercial Laundry equipment.

Laundrylux®

866.580.1010 ✓ laundrylux.com

Laundrylux • 461 Doughty Blvd., Inwood, NY 11096
 Sales and Administration Tel: 516-371-4400 • Fax: 516-371-4204 • sales@laundrylux.com
 Spare Parts Tel: 516-371-2000 • Fax: 516-371-4029 • parts@laundrylux.com
 Technical Support – Tel: 516-371-0700 • Fax: 516-371-4029 • service@laundrylux.com
 En Mexico: Llame gratis a este numero 001-800-010-1010