

Non-Metered/Card Ready

CROSSOVER[®]

In a class by itself.

The world's first small chassis washer engineered to commercial laundry standards for your business needs.

PROFESSIONAL SPECIFICATIONS

Serving the Route and OPL markets, Crossover Series Washers meet business demands with durability, energy savings and customer satisfaction.

FEATURES AND BENEFITS

- ✓ 22+ lb capacity
- ✓ 15,000+ cycles durability
- ✓ 4 professional wash programs + 2 cycle options
- ✓ Top quality SKF bearings in heavy duty assembly
- ✓ 3 seals with 5 lips protect bearings
- ✓ Professional grade 8-point suspension
- ✓ Pump-drain standard
- ✓ Solid steel counterweights—no concrete

BEST CUSTOMER EXPERIENCE

- ✓ Superior oversuds and unbalance tolerance
- ✓ Extra large door opening
- ✓ Heavy-duty door hinge
- ✓ 4 wash programs + 2 options
- ✓ High speed 300G max extraction

MARKET READY DESIGN

- ✓ Space-saving 27" wide to minimize floor space
- ✓ Quiet operation
- ✓ Liquid chemicals are fully diluted with water



CROSSOVER OPL WASHER Model No. WHWF09810NM

Laundrylux[®]

866.580.1010 ✓ laundrylux.com

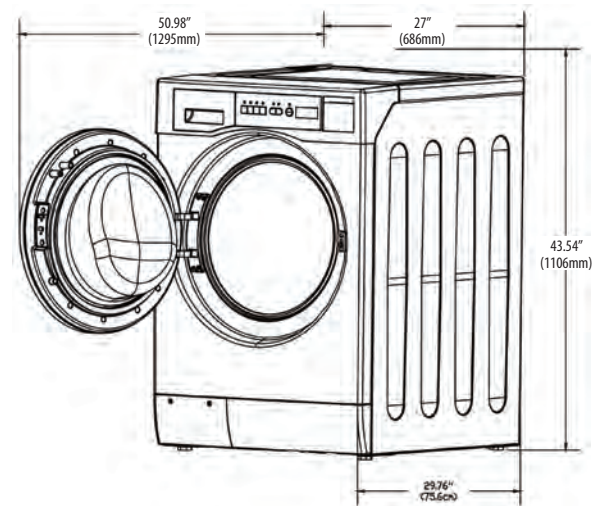


CEE TIER III
COMPLIANT

CROSSOVER WASHER

CROSSOVER WASHER SPECIFICATIONS

Model No.	Non-Metered/Card Ready WHWF09810NM
Motor	Variable-speed, reversible, thermoprotected, high-efficiency, controlled induction
Electrical Rating	120 V/60 Hz / 1-phase
Breaker Requirements	15A
Cylinder Volume	3.5 cu ft (98 liters)
Cylinder Diameter	21 5/8 in (550 mm)
Cylinder Depth	18 1/4 in (464 mm)
Wash Capacity	22 lbs (10 kg)
Door Opening	15 in (380 mm)
Wash Speed	45 RPM
Maximum RPM*	1,000 RPM
Maximum G-force*	300 G
Inlet Hose	2 3/8 in (hoses included)
Water Pressure	10-90 psi (70-600 kPa)
Drain Hose	1 in (25.4 mm)
Crated Weight	314 lbs (142.7 kg)
Uncrated Weight	299 lbs (136 kg)
Overall Dimensions	W D H: 27 x 33 3/4 x 39 3/4 in w/o meter box W D H: 27 x 33 3/4 x 43 1/2 in w/meter box (W D H: 686 x 857 x 1010 mm w/o meter box) (W D H: 686 x 857 x 1106 mm w/meter box)



Refer installation and servicing to qualified, licensed personnel. Always read installation and Operating Manuals and consult local codes before installation. Protect machines with properly rated circuit breakers ONLY. Warranty void if not properly installed. Specifications subject to change without notice. Laundrylux assumes no responsibility for errors or omissions in this information.

Laundrylux offers a complete line of Electrolux Professional and Wascomat Commercial Laundry equipment.

Laundrylux®

866.580.1010 ✓ laundrylux.com

Laundrylux • 461 Doughty Blvd., Inwood, NY 11096

Sales and Administration Tel: 516-371-4400 • Fax: 516-371-4204 • sales@laundrylux.com

Spare Parts Tel: 516-371-2000 • Fax: 516-371-4029 • parts@laundrylux.com

Technical Support – Tel: 516-371-0700 • Fax: 516-371-4029 • service@laundrylux.com

En Mexico: Llame gratis a este numero 001-800-010-1010